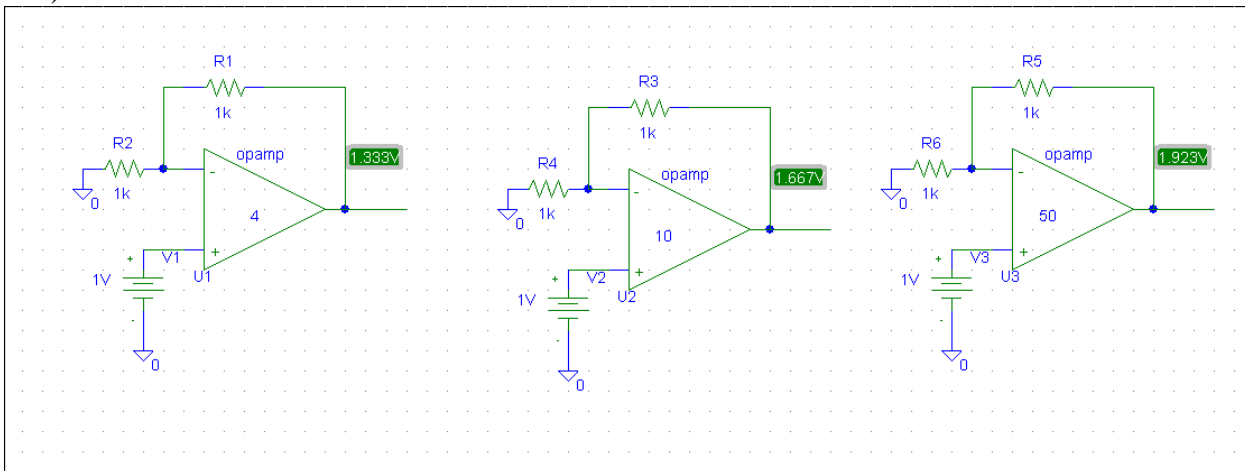


REŠENJA

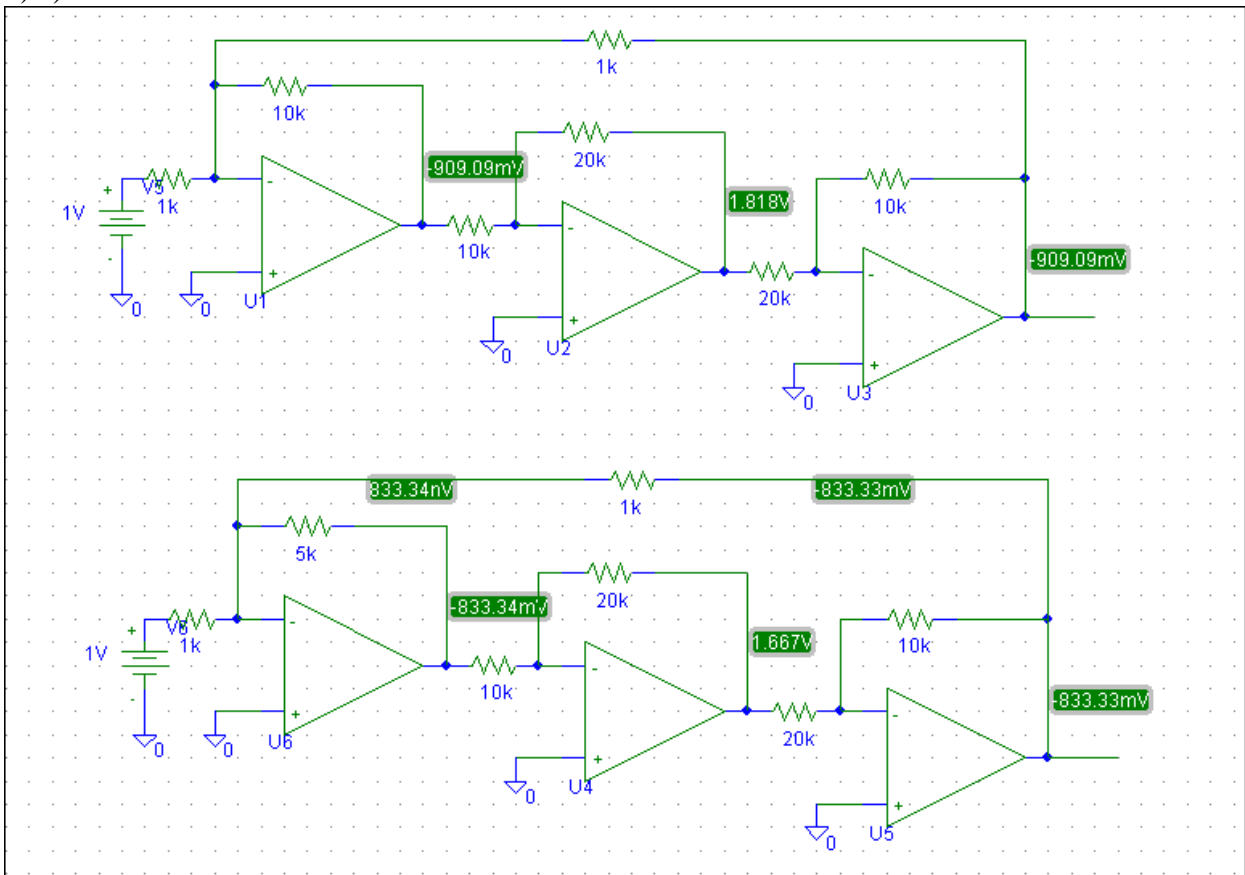
1. a) $v_I = v_G + \frac{R_1}{R_0} V_{EE}$

b) $v_I = v_G + \frac{R_1}{R_0} V_{CC}$

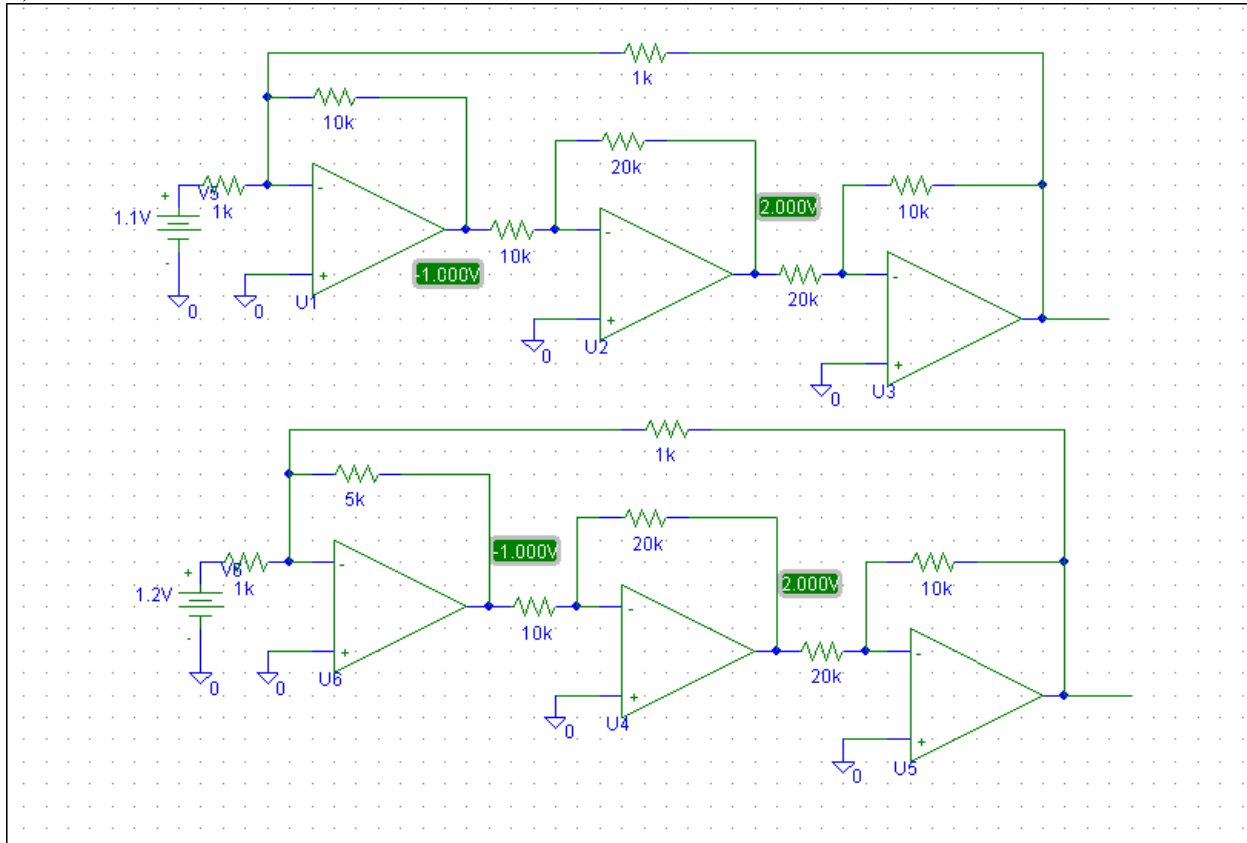
2. a)



b) c)

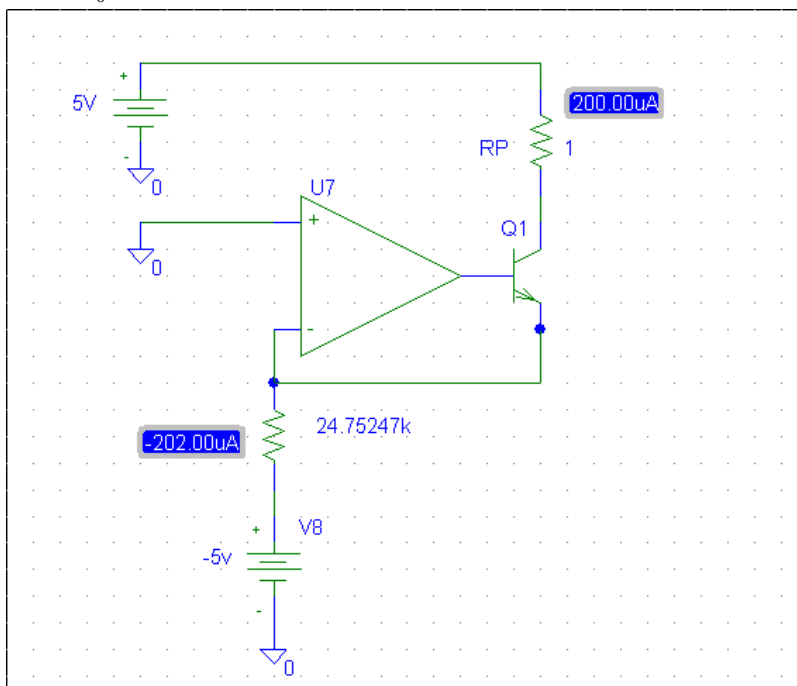


d)



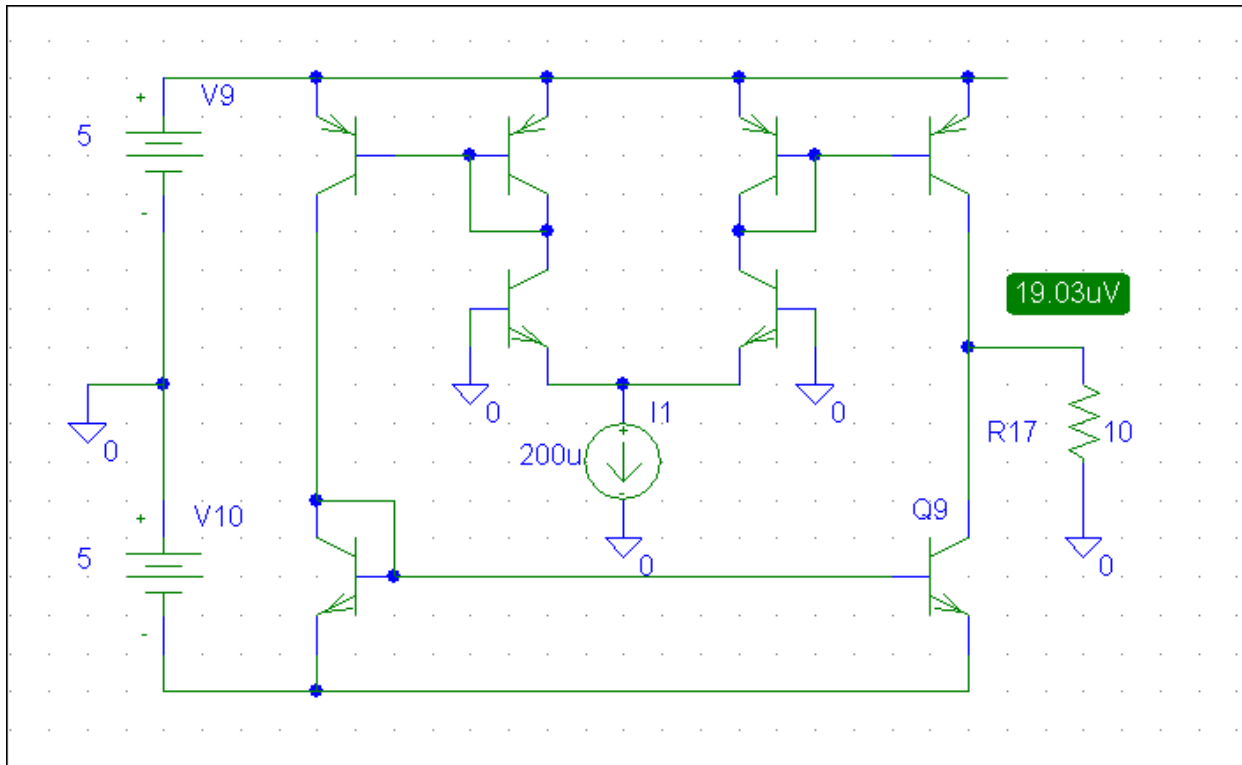
3. Q-zasićenje; D-uključena; $i_c = 4.2\text{mA}$

4. a) $R_0 \rightarrow 25\text{k}\Omega$



b) $g_m = 3.98\text{mS}$ $r_\pi = 25.1\text{k}\Omega$

c) $V_p \rightarrow 0$, a ako se računaju bazne struje onda je $V_p = 19\ \mu\text{V}$.



d) $a = -g_m R_p = -0.04$

5. a) $R_{S1} = 3.3\text{k}\Omega$ $R_{D2} = 6.7\text{k}\Omega$ $R_{S3} = 5\text{k}\Omega$ $R_{D1} = 4.1\text{k}\Omega$ $R_{S2} = 2.4\text{k}\Omega$

b) $R_{ul} \rightarrow \infty$ $R_{izl} \approx 455\Omega$